

**Metropol**

**3-Hole Roman Tub Set Trim with Loop Handle and 1.75 GPM Handshower**

Surface: **brushed nickel** Part no. : **74554821**



**Description**

**Features**

- Flow: 5.81 GPM (22 L/Min)
- Flow rate of hand shower at 3 bar: 1.75 GPM (6.6 L/Min)
- Ceramic cartridge
- Integrated double backflow prevention

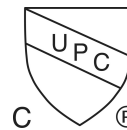
**Item details**

List Price \$ 1,305.00

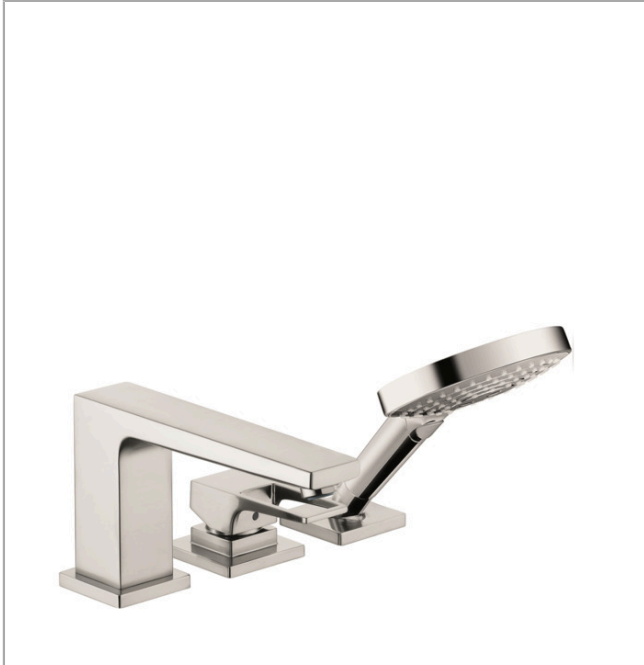
**Technology**



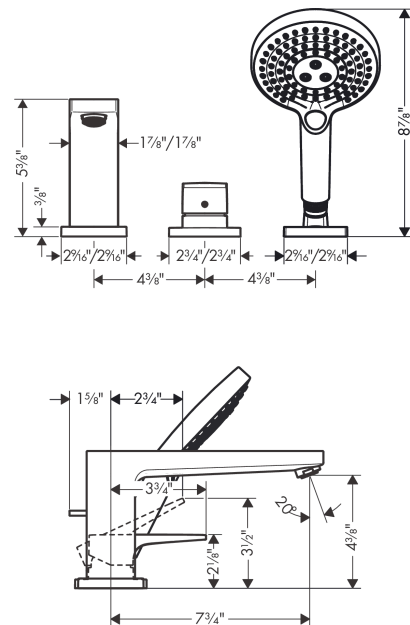
**Compliance**



**Product image**



**Scale drawing**

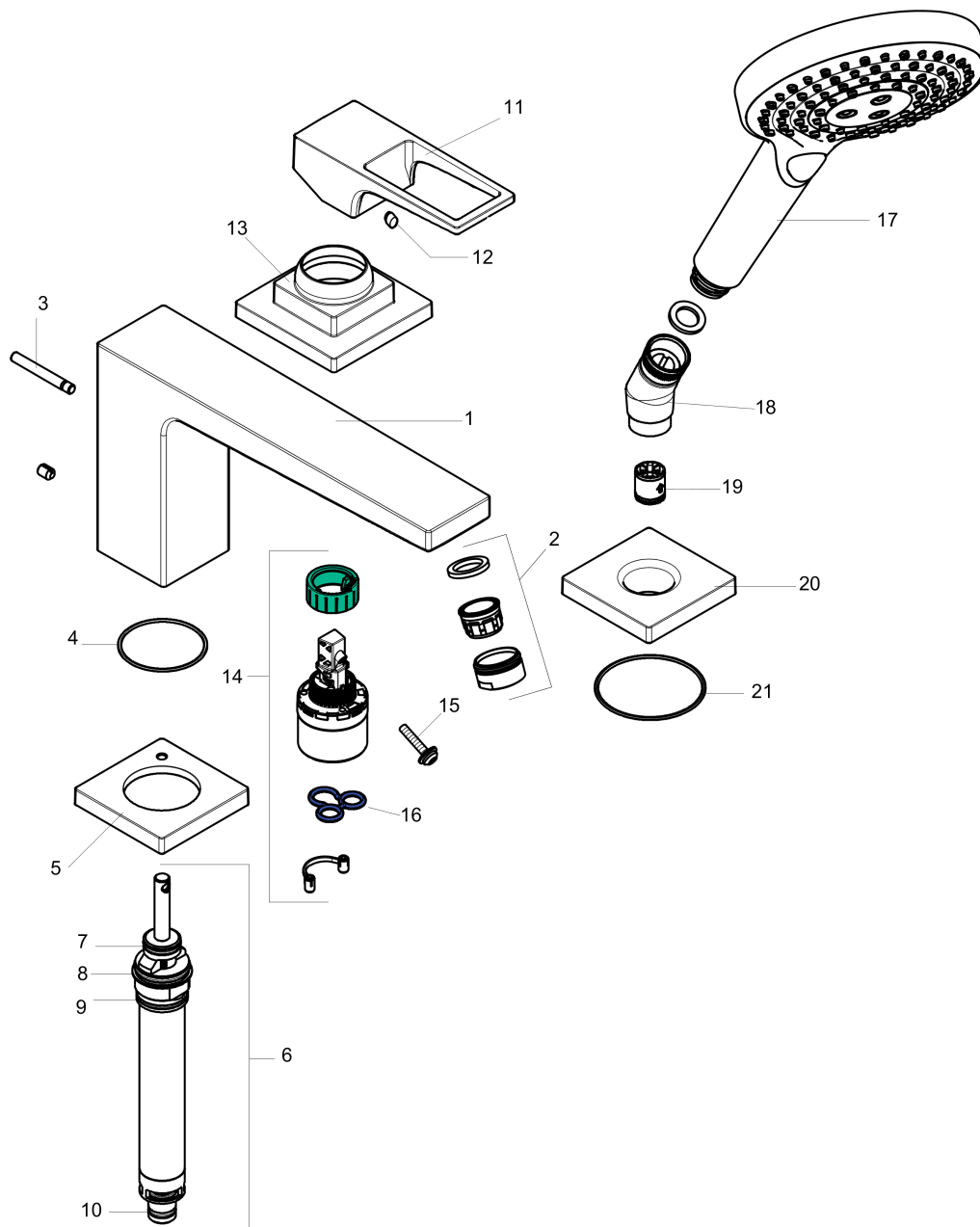


**Metropol**  
**3-Hole Roman Tub Set Trim with Loop Handle and 1.75 GPM Handshower**  
 Surface: brushed nickel Part no. : 74554821



Exploded drawing

Year of production: >07/18



## Metropol

### 3-Hole Roman Tub Set Trim with Loop Handle and 1.75 GPM Handshower

Surface: **brushed nickel** Part no. : **74554821**



#### Spare parts list

Year of production: >07/18

Pos.	Description	Part no.	Price	PU
1	spout cpl.	93151820	-	1
2	aerator M24x1 (30 l/min)	96512820	-	1
3	handle	93076820	-	1
4	diverter knob	98707820	-	1
5	O-ring 41x1,5	98168000	-	1
6	escutcheon for spout	93152820	-	1
7	selector assy	96775000	-	1
8	O-Ring 14x2,5	98189000	-	1
9	O-Ring 23x2,5	98183000	-	1
10	O-Ring 22x2	98185000	-	1
11	O-ring 9x2,5	98217000	-	1
12	screw cover	96338000	-	1
13	escutcheon	93138820	-	1
14	cartridge, assy	92730000	-	1
15	locking screw for handle	95140000	-	1
16	seal	95008000	-	1
17	handshower	26036821	-	1
18	shower holder	28071820	-	1
19	set of non return valves DW 15	94074000	-	1
20	escutcheon for shower holder	93153820	-	1
21	O-ring 56x2	98468000	-	1